

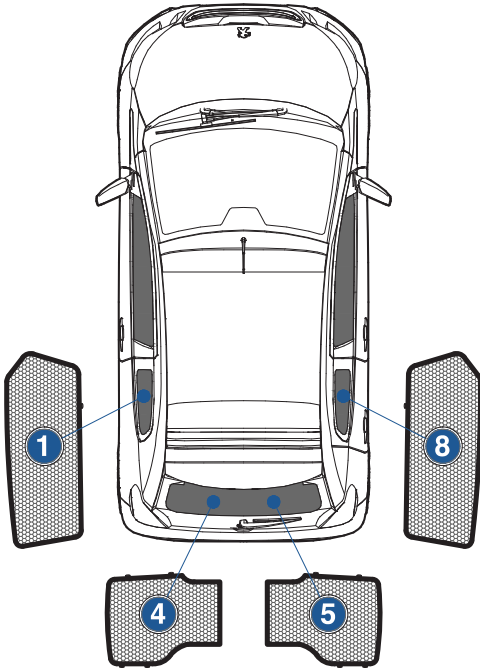
Installation Manual

PEUGEOT 108 3DR
PEU-108-3-A



COMPONENTS INCLUDED

SHADES



FIXING CLIPS



CL-M02 x 2



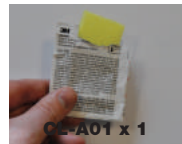
CL-P02 x 8



CL-M14 x 1



CL-W01 x 1



CL-A01 x 1

Side Shade Installation

PEUGEOT 108 3DR
PEU-108-3-A

COMPONENTS NEEDED:



STEP #1

ATTACH CLIPS ON SHADE EDGES



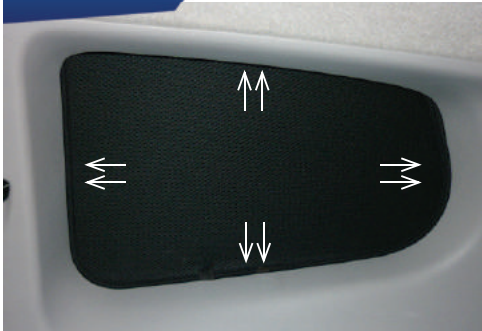
STEP #2

INSERT CLIPS BEHIND INTERIOR TRIM



STEP #3

ENSURE SECURELY FITTED IN PLACE



Rear Shade Installation

PEUGEOT 108 3DR
PEU-108-3-A

COMPONENTS NEEDED:



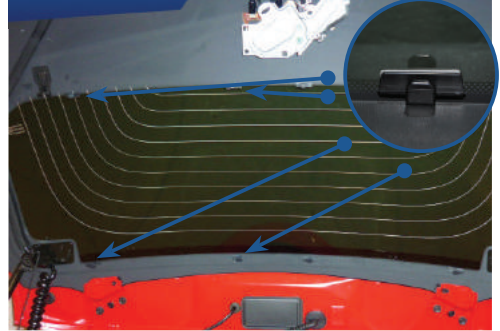
STEP #1

CLEAN THE AREA WHERE CLIPS ARE TO BE MOUNTED (AS IN STEP 2) WITH THE SURFACE CLEANER AND ADHESION PROMOTER SACHET PROVIDED



STEP #2

PRESS THE CLIPS FIRMLY INTO PLACE AND ALLOW TO DRY FOR 20 MINUTES



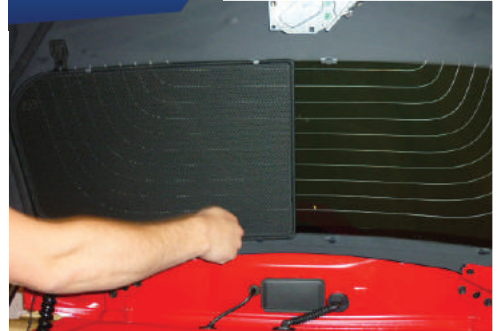
STEP #3

POSITION THE SIDE SHADES



STEP #4

ATTACH THE SHADES TO THE CLIPS



STEP #5

REPEAT THE PROCESS ON OTHER SHADE



STEP #6

ENSURE SECURELY FITTED IN PLACE

