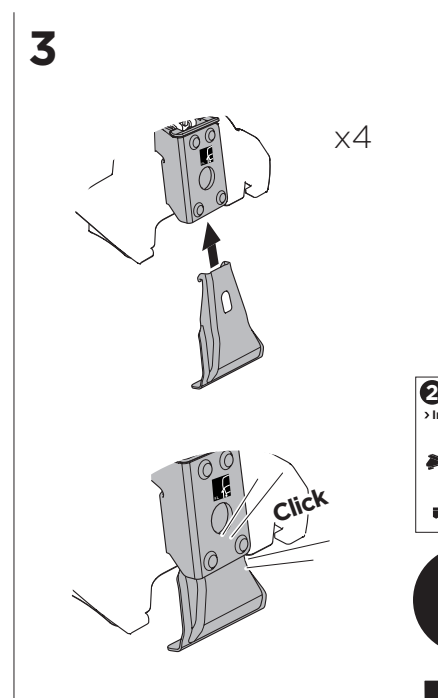
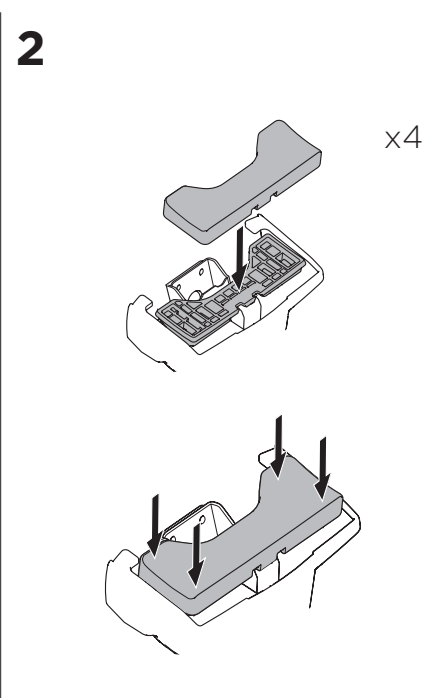
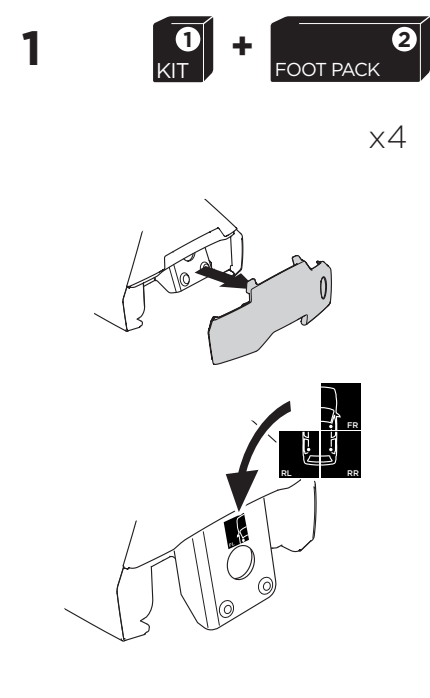
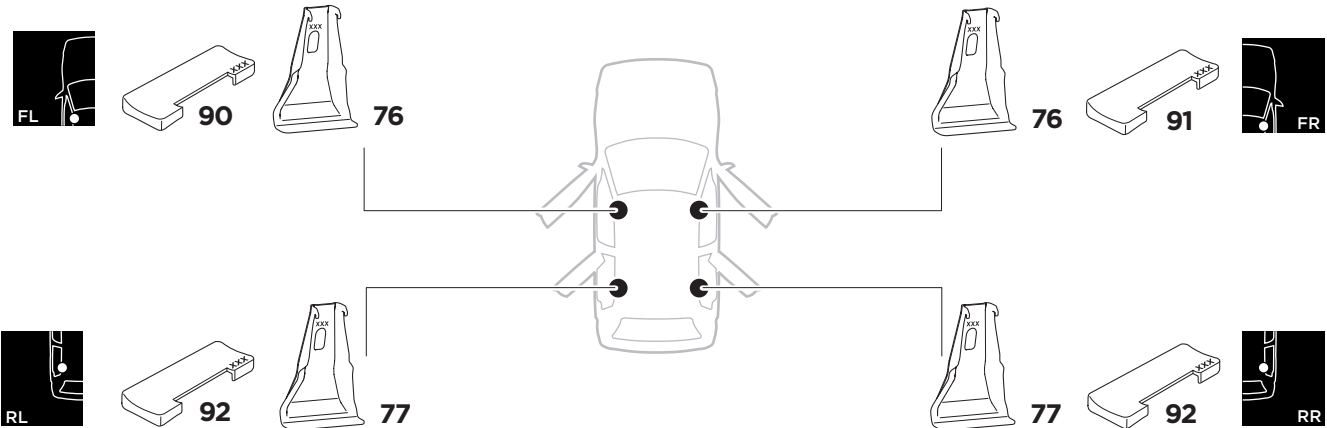
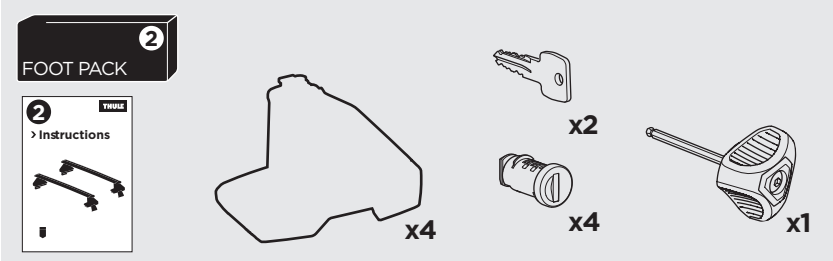
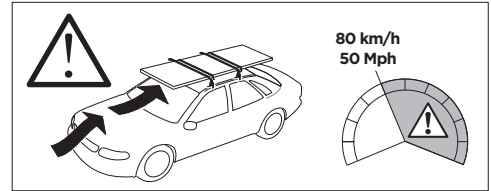
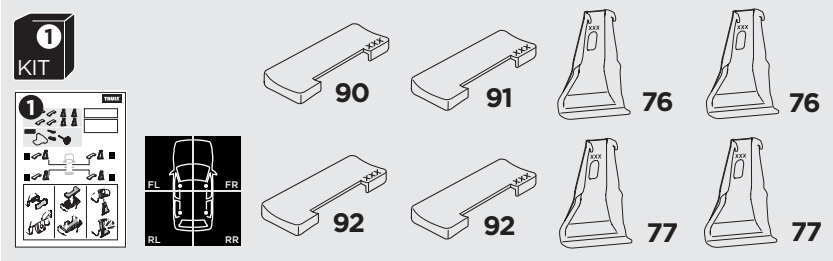


# 1

## Kit 5019 RENAULT Captur, 5-dr SUV, 13-

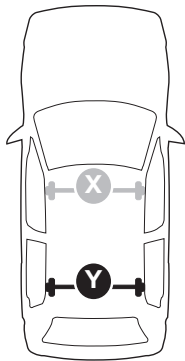
ISO 11154-E  
THULE  
GUARANTEE  
THULE.COM





THULE WingBar Evo	THULE WingBar Edge	THULE WingBar	THULE SquareBar	<b>Evo X (scale)</b>	<b>Edge X (scale)</b>
<b>RENAULT Captur, 5-dr SUV, 13-</b>				<b>36</b>	<b>G</b>

THULE ProBar	THULE SlideBar	<b>X (mm/inch)</b>		
<b>RENAULT Captur, 5-dr SUV, 13-</b>		<b>1011 mm / 39 3/4"</b>		



THULE WingBar Evo	THULE WingBar Edge	THULE WingBar	THULE SquareBar	<b>Evo Y (scale)</b>	<b>Edge Y (scale)</b>
<b>RENAULT Captur, 5-dr SUV, 13-</b>				<b>32</b>	<b>O</b>

THULE ProBar	THULE SlideBar	<b>Y (mm/inch)</b>		
<b>RENAULT Captur, 5-dr SUV, 13-</b>		<b>971 mm / 38 1/4"</b>		

	<b>W (mm/inch)</b>	<b>Z (mm/inch)</b>
<b>RENAULT Captur, 5-dr SUV, 13-</b>	<b>720 mm / 28 3/8"</b>	<b>220 mm / 8 5/8"</b>

