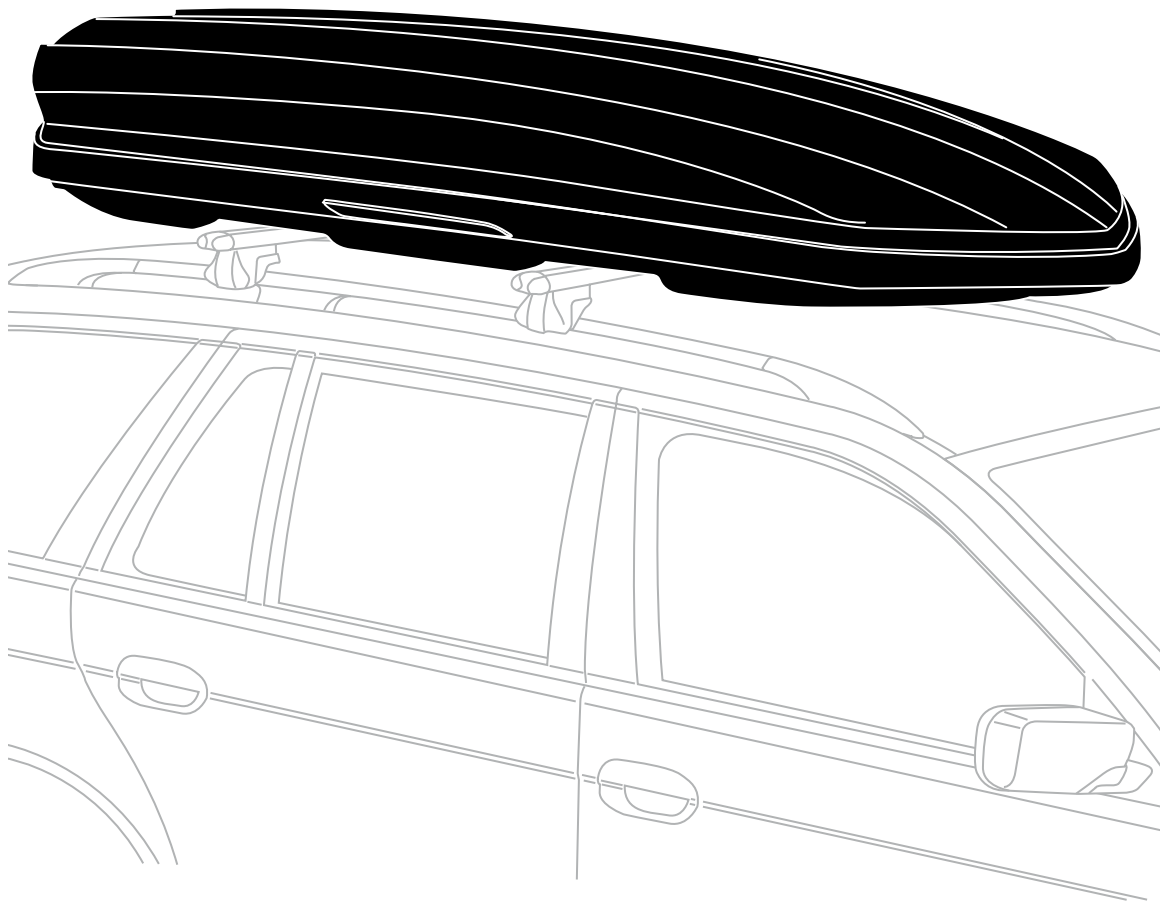
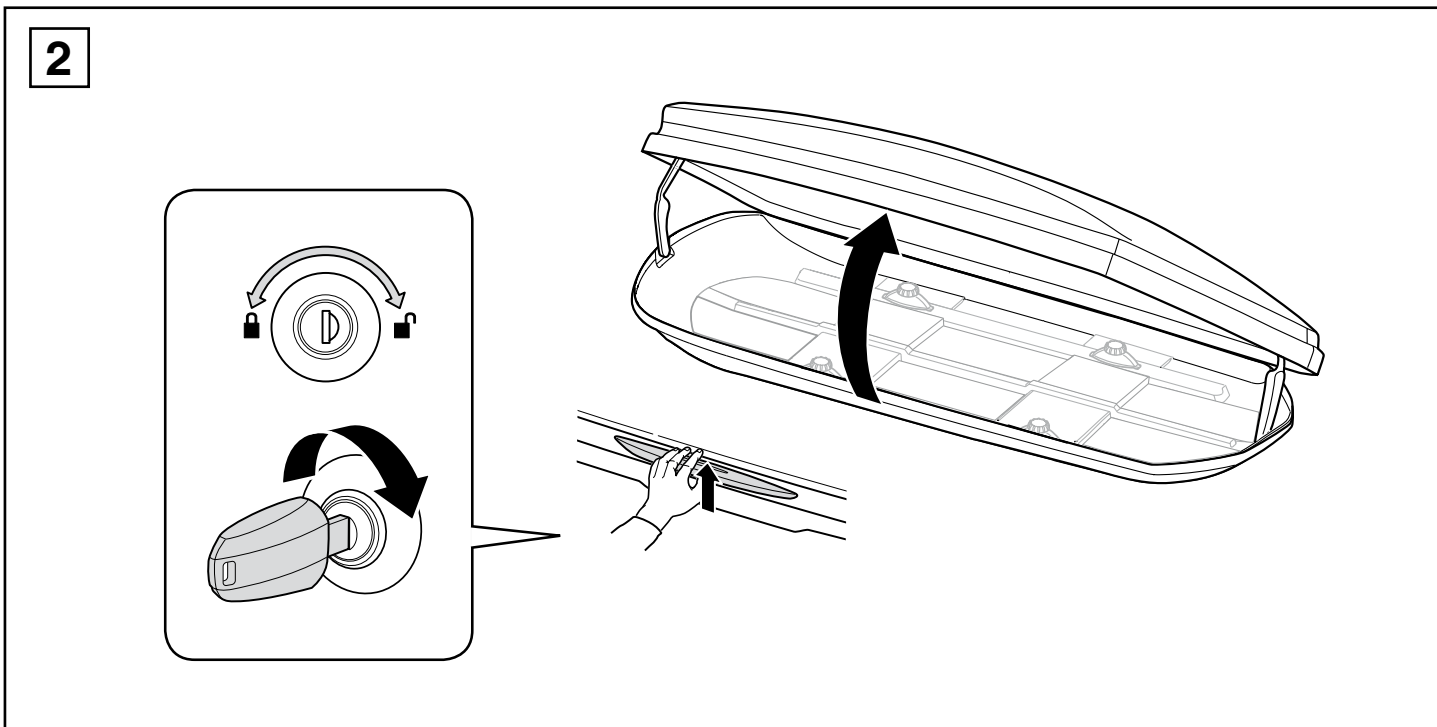
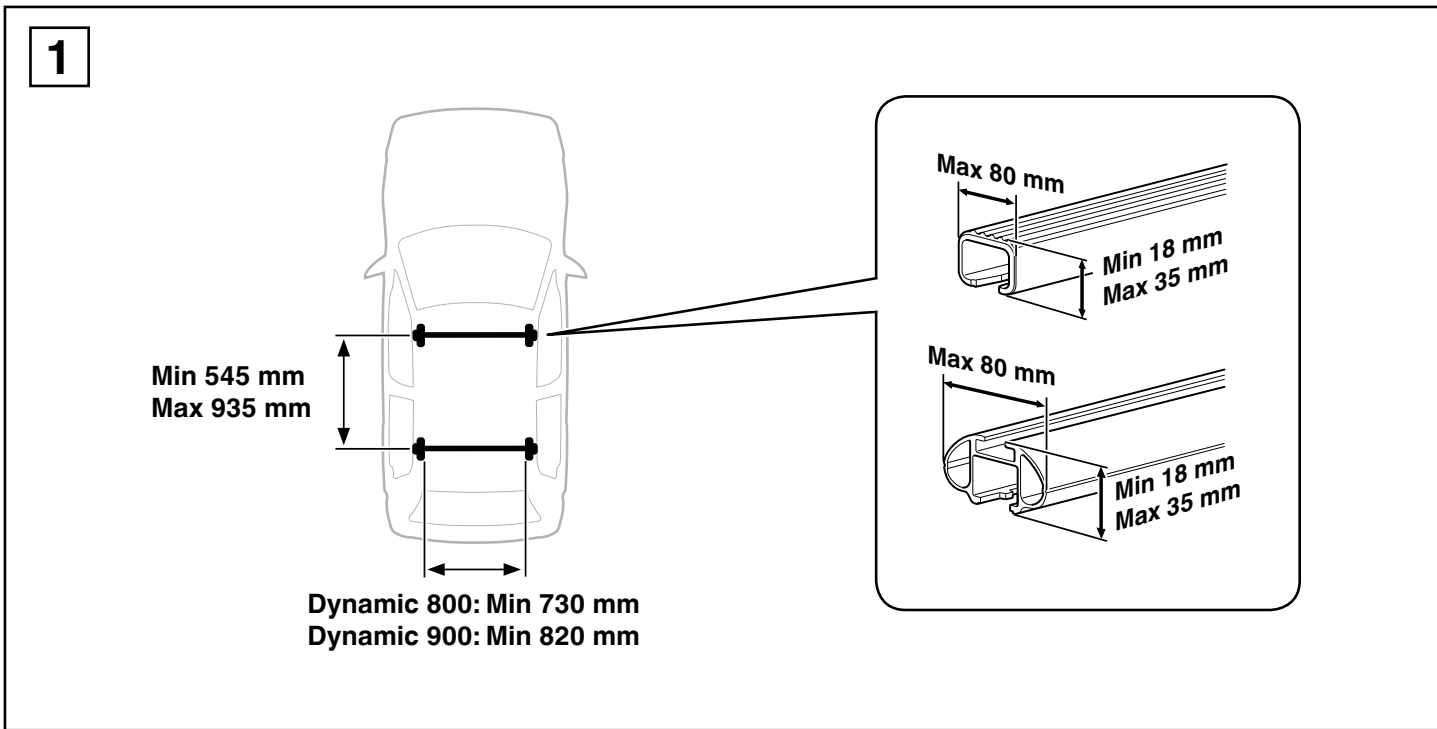
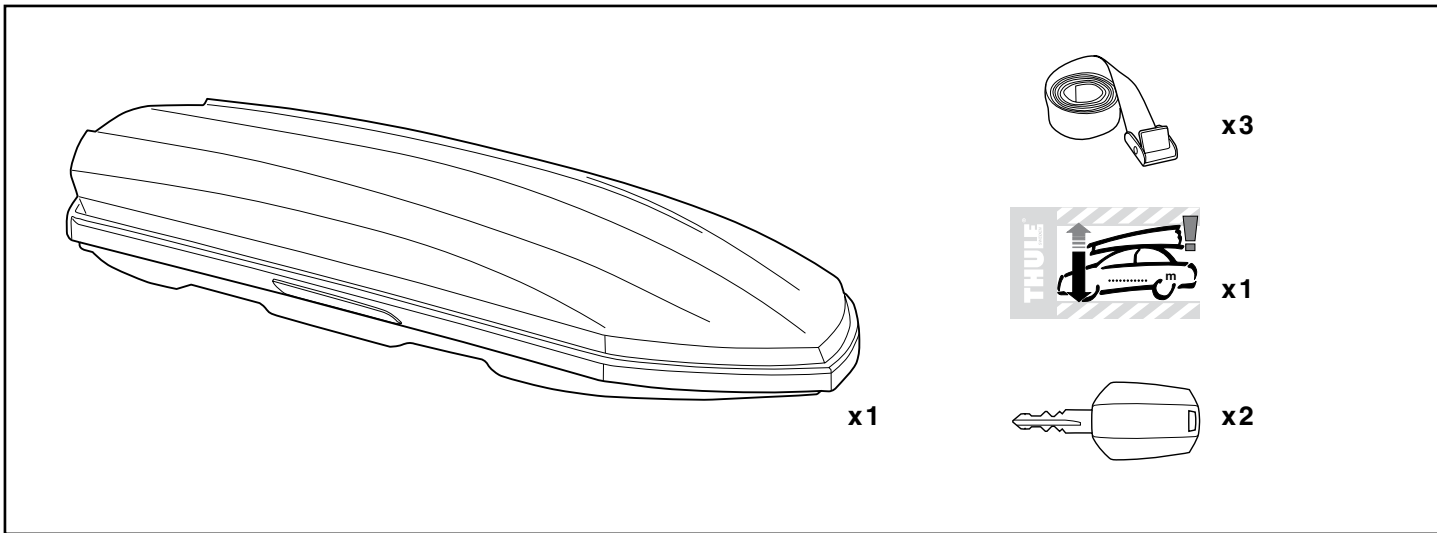


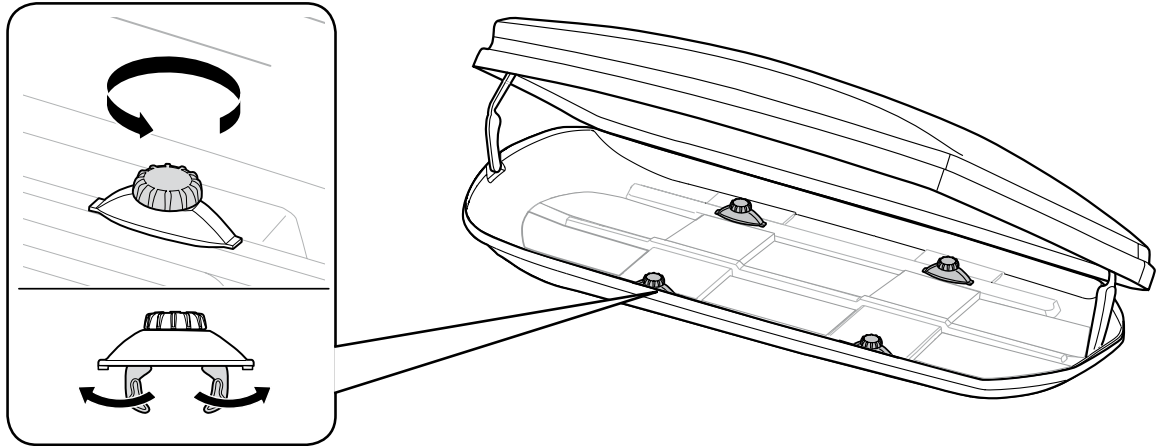
Instructions

Dynamic

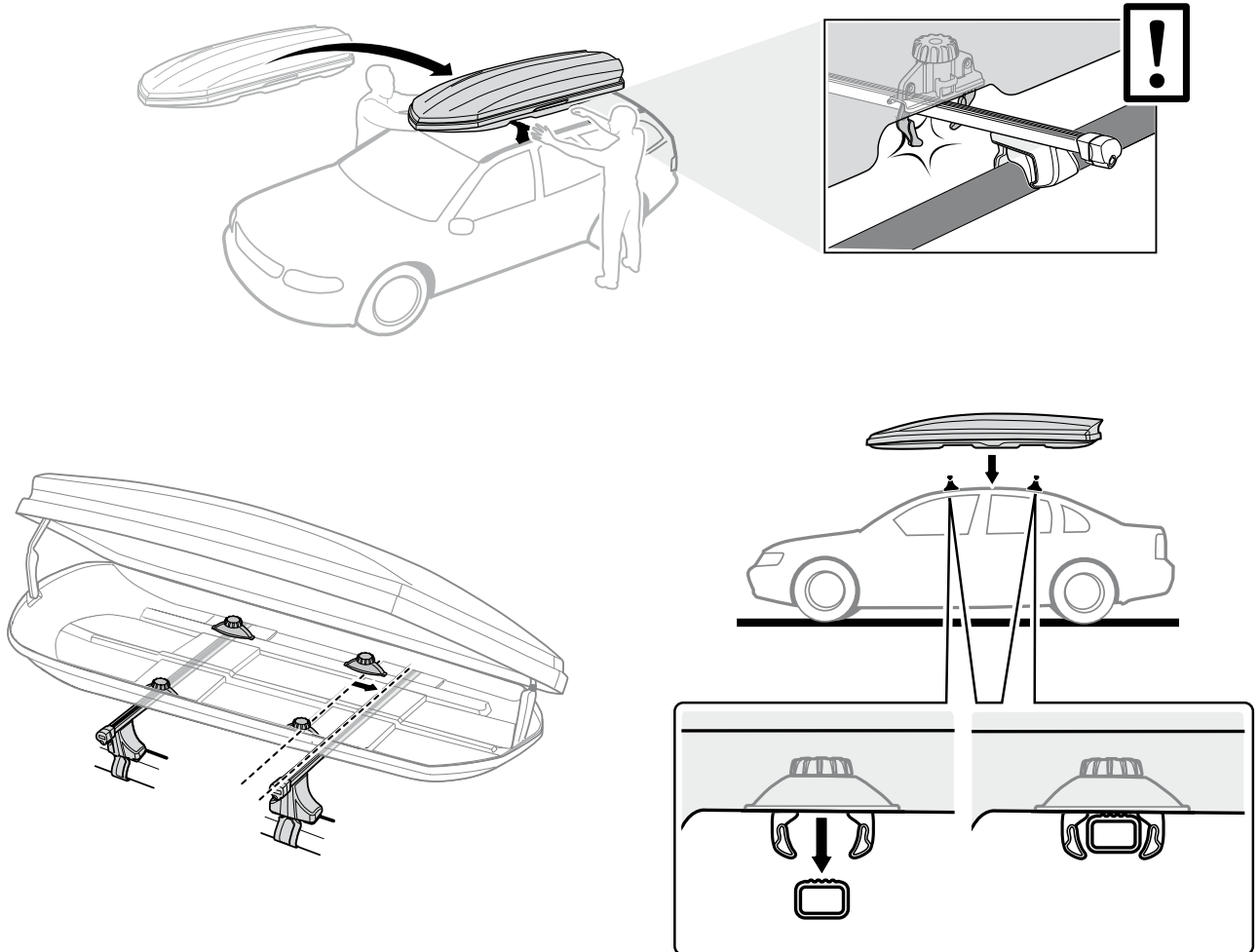




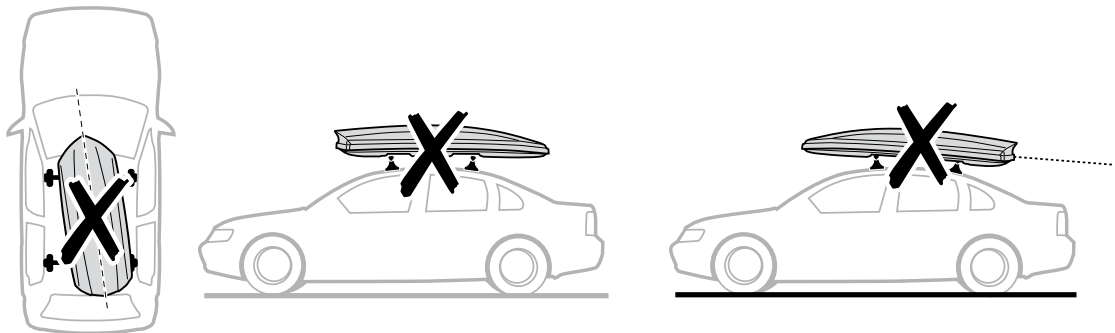
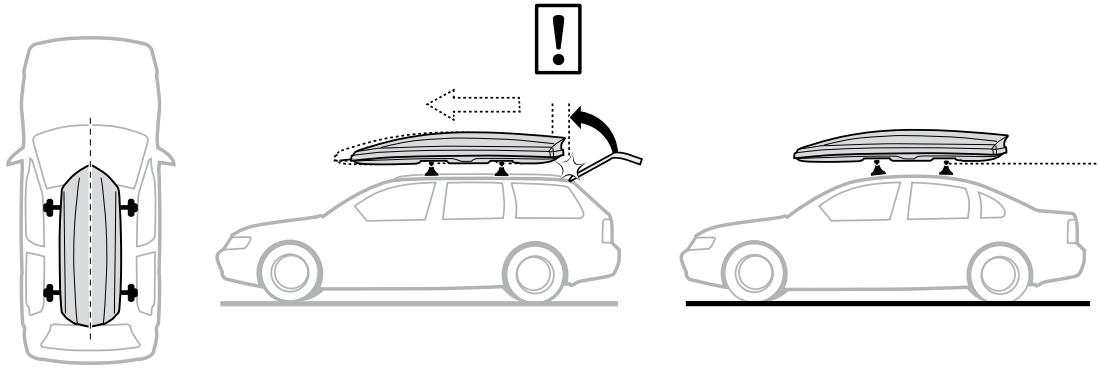
3



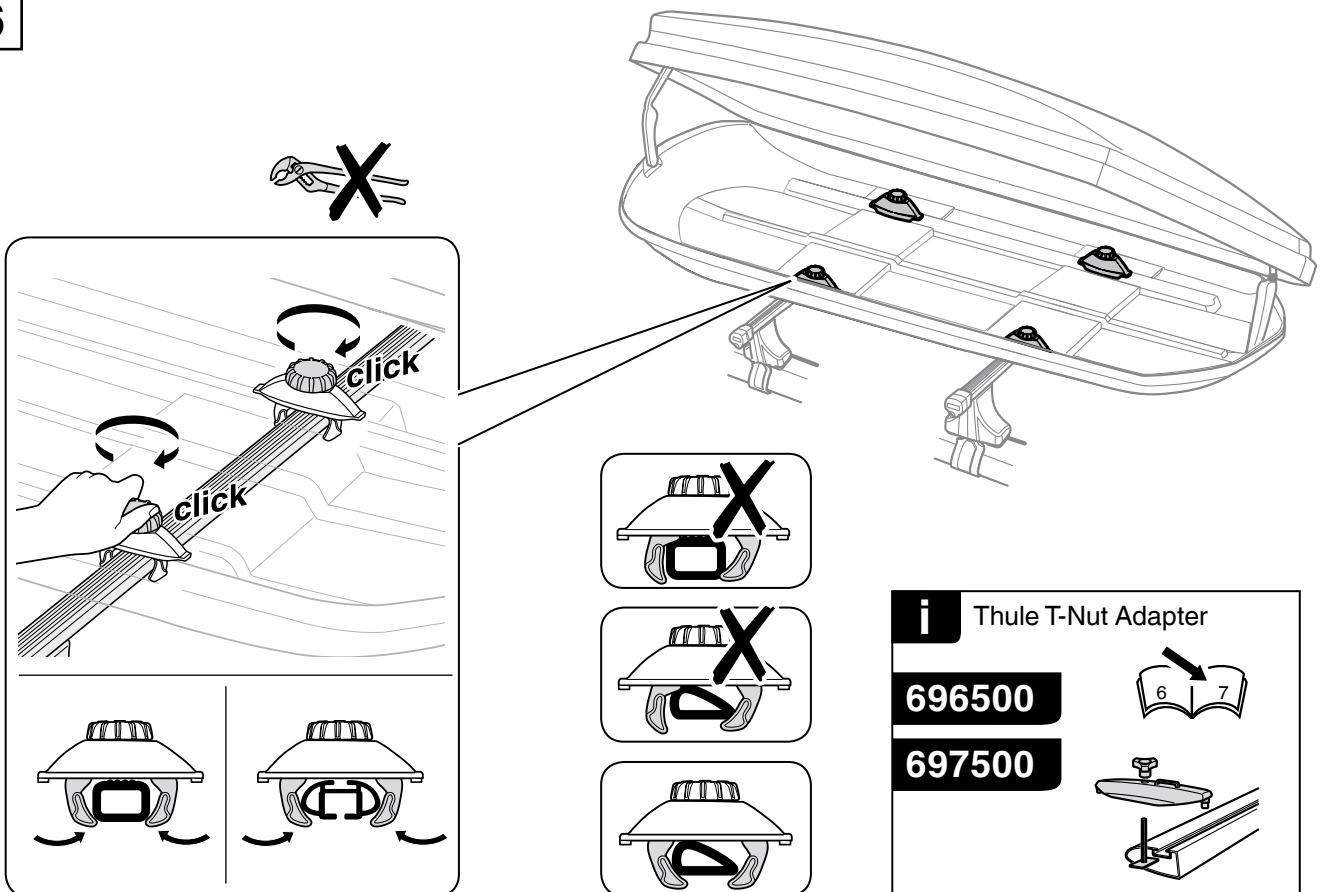
4



5



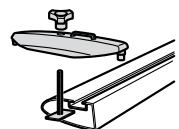
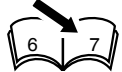
6



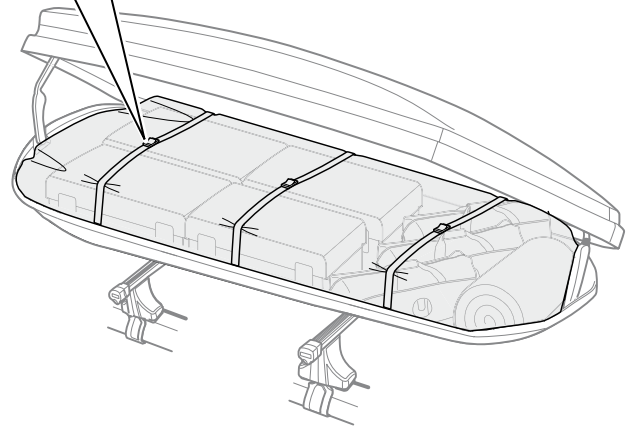
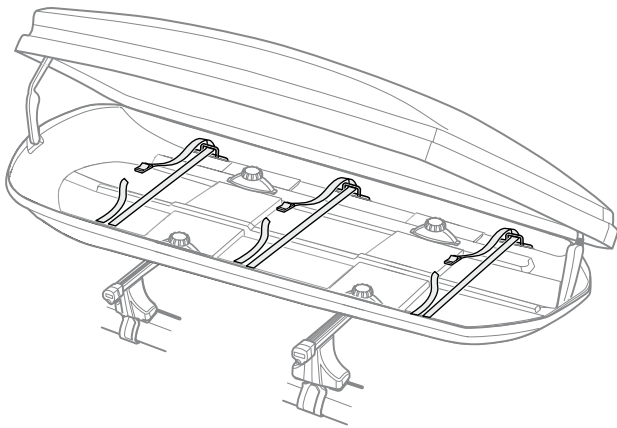
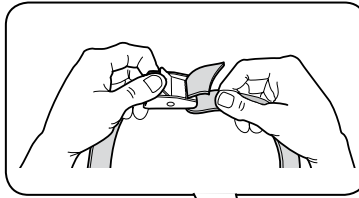
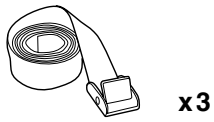
i Thule T-Nut Adapter

696500

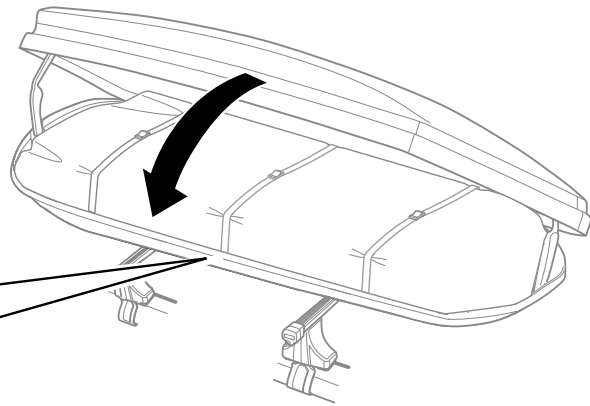
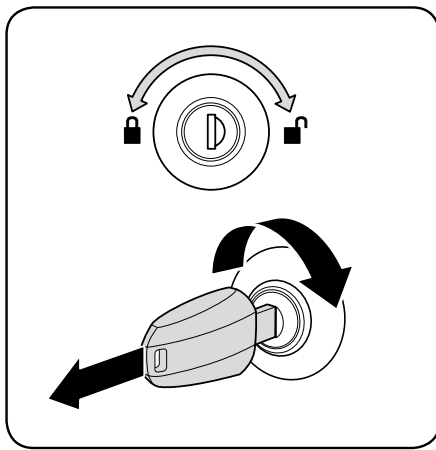
697500



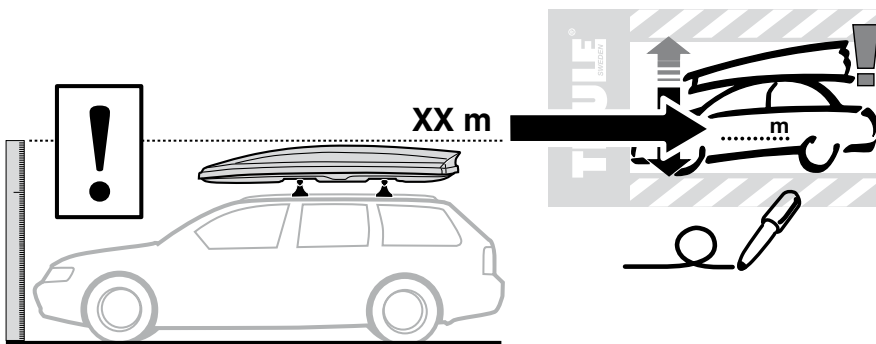
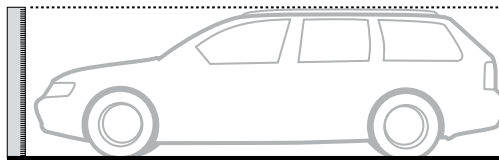
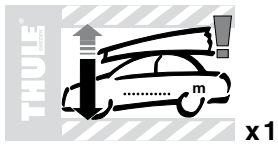
7

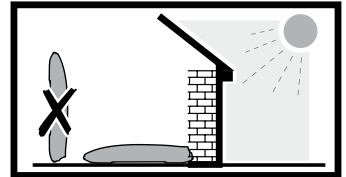
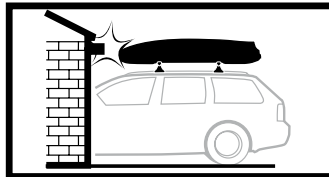
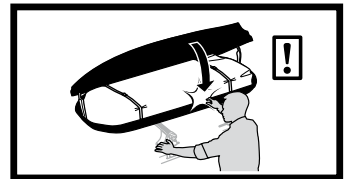
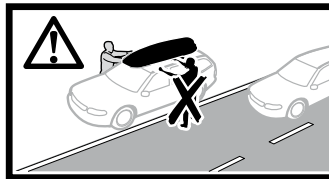
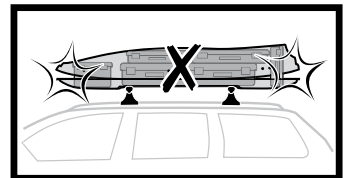
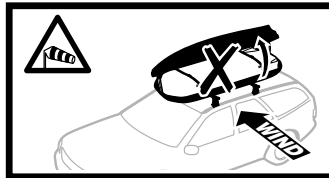
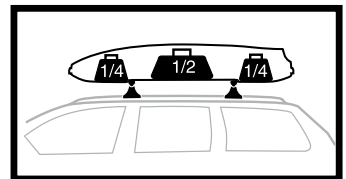
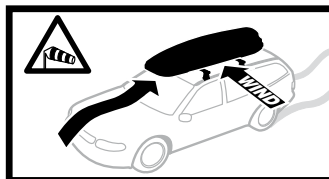
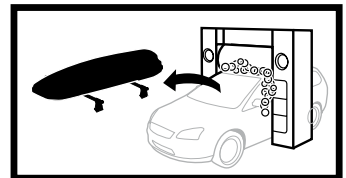
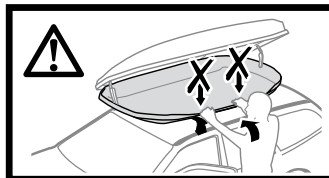
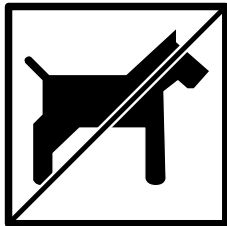
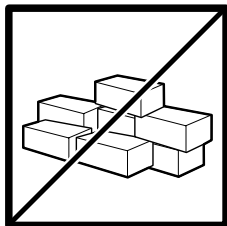
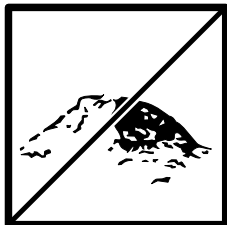
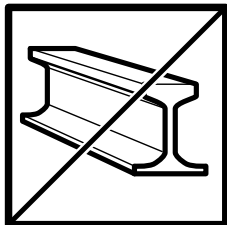
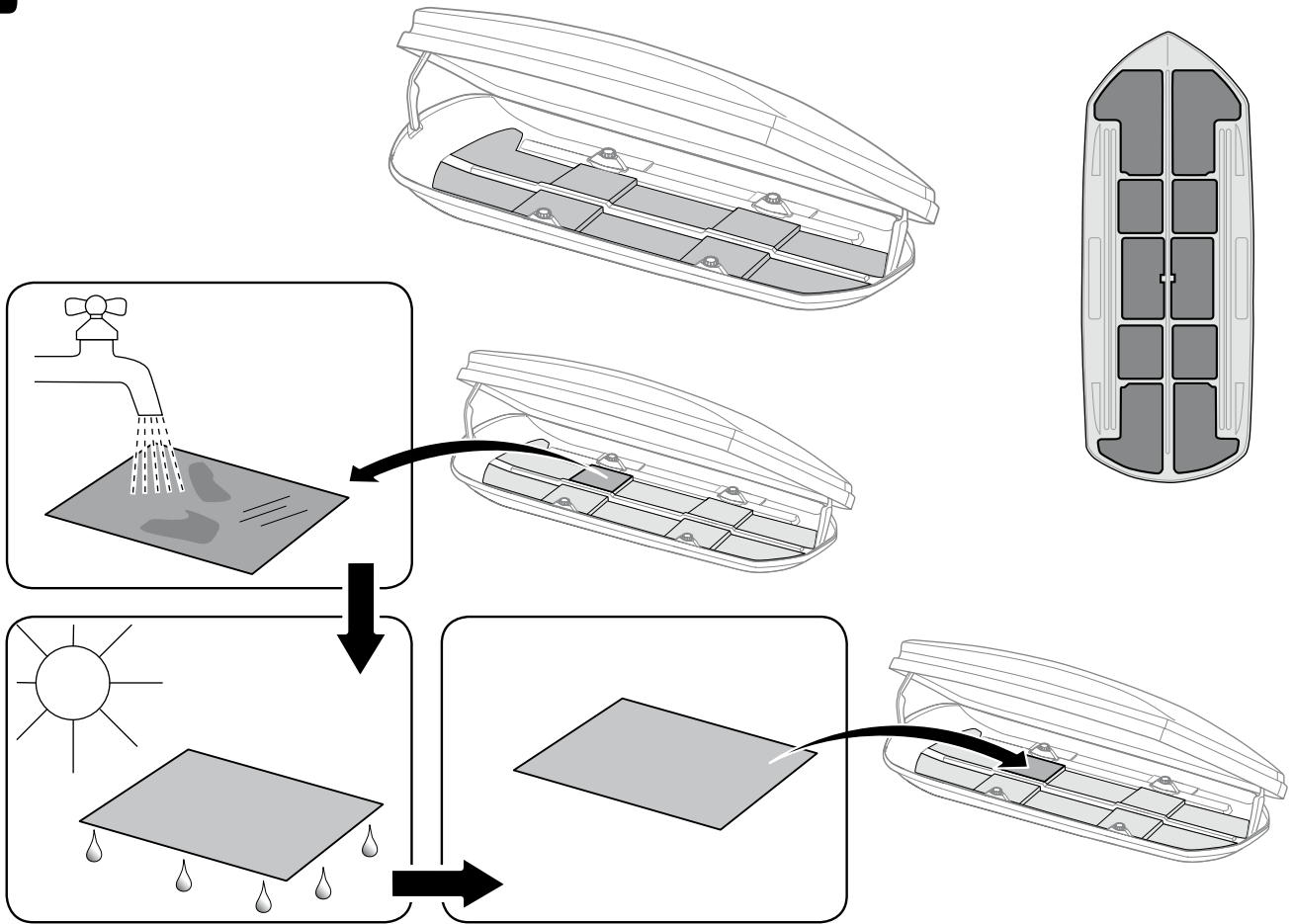


8



9

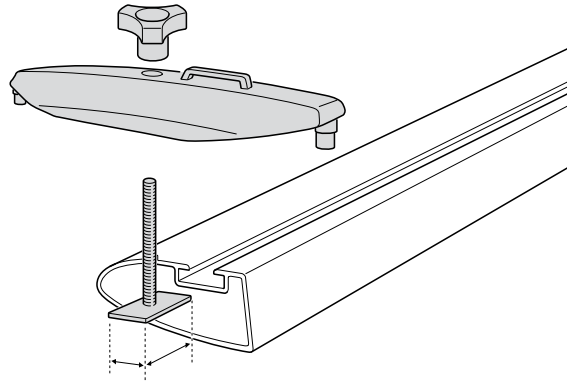




i Thule T-Nut Adapter

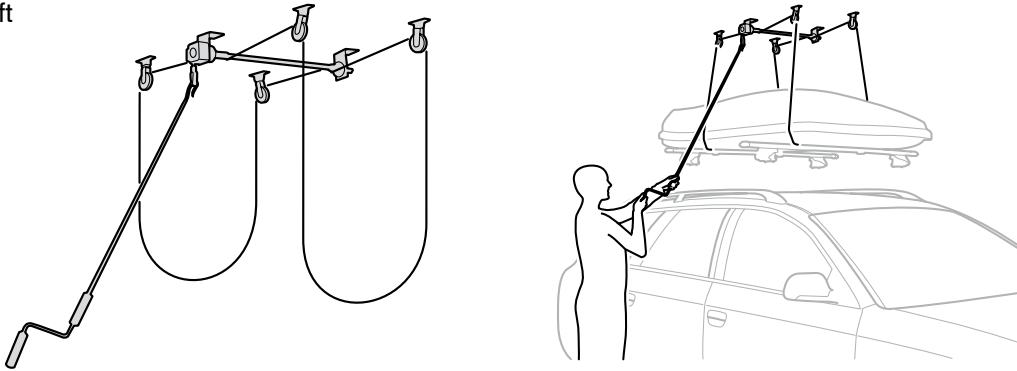
696500 → 24x30 mm

697500 → 20x27 mm



i Thule Boxlift

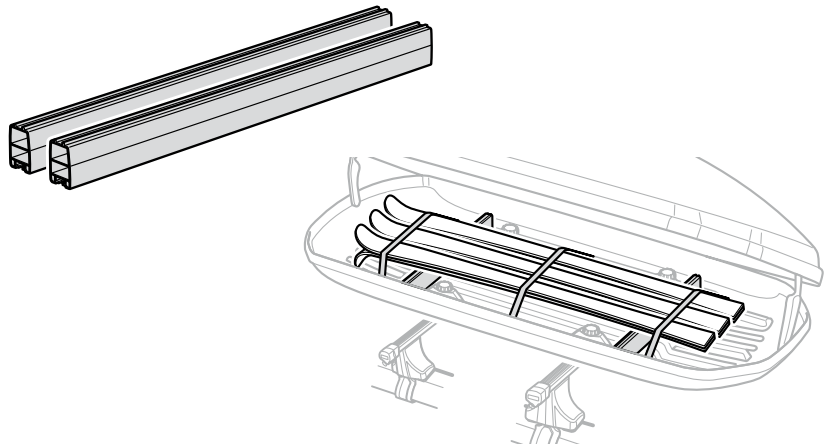
571000



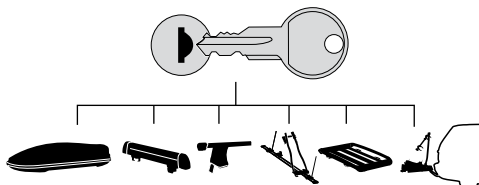
i Thule Skicarrier

694800 → Dynamic 800

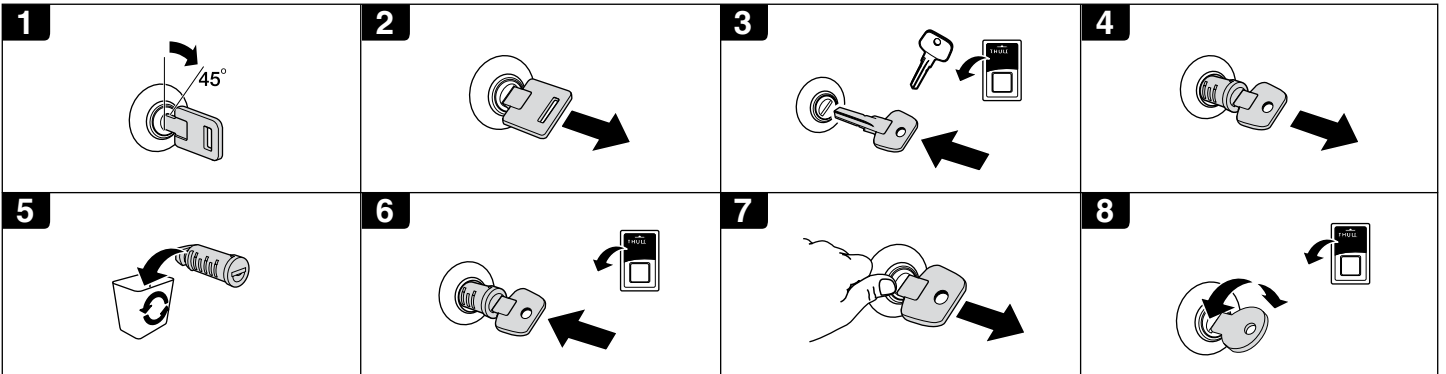
694900 → Dynamic 900

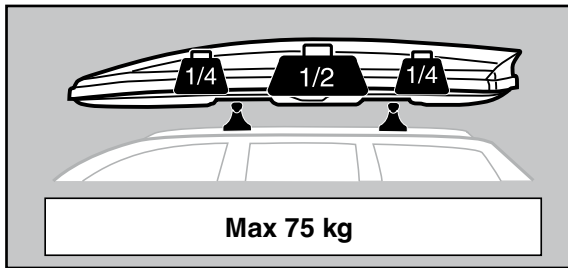
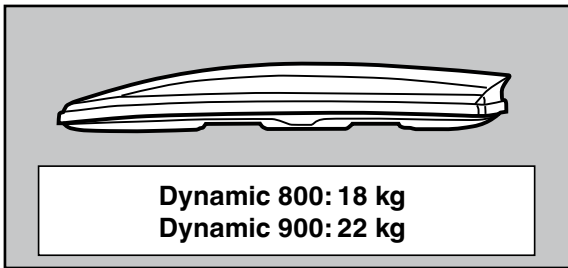


THULE
SWEDEN
ONE
KEY
SYSTEM



- 544 (x4)
- 596 (x6)
- 588 (x8)
- 452 (x12)





Kaufdatum / Date of purchase:

Händler / Dealer:

Stempel / Stamp

Kassenzettel hier abheften
Place receipt here

